

Technical Information

Gravel Trap Basket SD

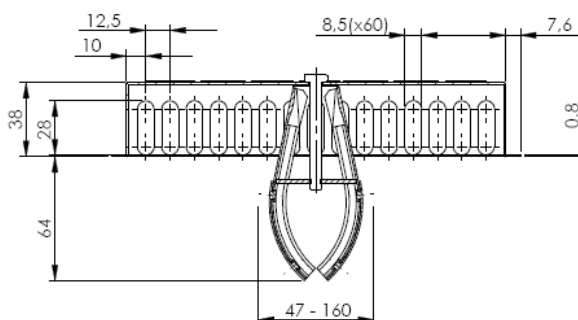


The Gravel Trap Basket SD consists of a 1,00 mm thick stainless steel sheet (AISI 316) in order to improve the drainage performance by creating a vacuum within the drainage system.

WOLFIN Bautechnik GmbH is certified according to EN ISO 9001

Dimensions and application areas:

Gravel Trap Basket SD	Stainless steel Gravel Trap Basket in combination with Stainless steel Extension-, or Parapet Drain Elements in DN 70 – DN 125
Sheet Thickness:	1,0 mm
Dimensions L/W/H:	195 mm x 195 mm x 38 mm
Application areas:	In combination with Stainless steel Extension-, or Parapet Drain to optimize the drainage performance. You can find further information and drainage performances with the corresponding drainage system in our prospect Stainless steel Drainage- and Ventilation systems



Technical support, Tel.: +49 (0) 6053/708-141

This technical data sheet was produced according to the latest technical knowledge and standards of WOLFIN Bautechnik, Am Rosengarten 5, D-63607 Wächtersbach. Technical changes due to further developments are possible.